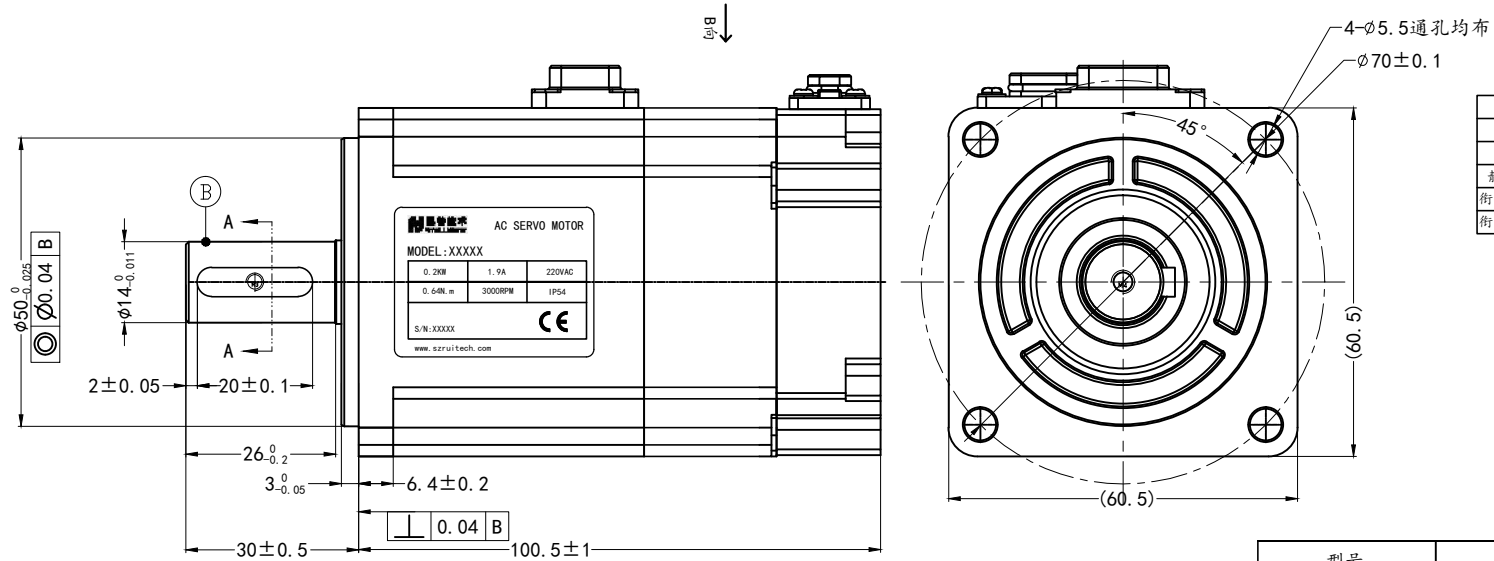


# 永磁交流伺服电动机规格书

## PERMANENT MAGNET AC SERVO MOTOR SPECIFICATION

| 版本<br>REV | 变更号<br>ECN NO | 变更内容<br>CONTENT CHANGED | 处数<br>NO. | 日期<br>DATE | 设计<br>DESIGN |
|-----------|---------------|-------------------------|-----------|------------|--------------|
|           |               |                         |           |            |              |



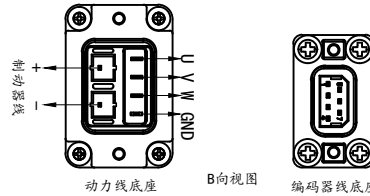
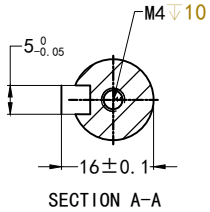
| 制动器规格  |                |
|--------|----------------|
| 额定电压   | DC24V ± 10%    |
| 功率     | 7.6W, 20°C     |
| 静摩擦扭矩  | ≥ 1.5N.M, 20°C |
| 衔铁吸合时间 | < 60ms         |
| 衔铁释放时间 | < 20ms         |

使用说明:

### Instructions

使用环境温度 -20—55° C 不结冰  
 Operating ambient temperature -20—55° C no ice  
 使用环境温度 20%—80%RH 不结露  
 Operating environment humidity 20%—80%rh no condensation  
 1000m 以下使用, 1000m 以上请降额使用, 具体参照海拔降额曲线  
 For use below 1000m, please reduce the rating for use above 1000m.  
 Refer to the altitude derating curve for details

### 参数列表 parameters List



| 型号<br>Model      | 编码器<br>encoder                                 |
|------------------|--|
| RSDA-H06J0630C-Z | 17位单圈磁编<br>17 bit single coil magnetic encoder |
| RSDA-H06G0630C-Z | 17位多圈磁编<br>17 bit multi coil magnetic encoder  |
| RSDA-H06L0630C-Z | 23位多圈光电<br>23 bit multi turn photoelectric     |

| 额定电压 Rated Voltage (V)          | 220V | 线电阻 Line-Line Resistance (Ω)                               | 5.8 ± 10% (20°C)  | 编码器接线顺序 (其中5、6号为多圈和光电编码器用)<br>magnetic encoder wiring sequence<br>(numbers 5 and 6 are used for multi turn and photoelectric encoders)                        |            |             |            |           |  |            | 电机绕组接线顺序<br>Motor winding wiring sequence |                     |                          |             |            |                       |  |            |                  |               |
|---------------------------------|------|--|---|---|------------|-------------|------------|-----------|--|------------|---|---------------------|--------------------------|-------------|------------|-----------------------|--|------------|------------------|---------------|
| 额定功率 Rated Power (W)            | 200  | 线电感 Line-Line Inductance (mH)                              | 9.6 ± 20% (20°C)  | 序号<br>Serial number   | 1          | 2           | 3          | 4         | 5  | 6          | 7   | 序号<br>Serial number | 1                        | 2           | 3          | 4                     |  |            |                  |               |
| 额定电流 Rated Current (A)          | 1.9  | 转动惯量 Rotor inertia (× 10 <sup>-4</sup> kg/m <sup>2</sup> ) | 0.25  | 颜色<br>Color   | 绿<br>Green | 黄<br>Yellow | 白<br>White | 红<br>Red  | 蓝<br>Blue  | 黑<br>Black | 屏蔽<br>Shield                              | 颜色<br>Color         | 红<br>Red                 | 白<br>White  | 黑<br>Black | 黄绿<br>Yellow/Green    |  |            |                  |               |
| 峰值电流 Peak Current (A)           | 3.8  | 绝缘等级 Insulation Class                                      | F   | 定义<br>Definition  | SD-        | SD+         | GND        | VCC       | BAT+   | BAT-       | PE  | 定义<br>Definition    | U                        | V           | W          | PE                    |  |            |                  |               |
| 额定转速 Rated Speed (rpm)          | 3000 | 绝缘电阻 Insulation resistance                                 | DC1000V ≥ 20MΩ  | CTQ SIGN: <input type="checkbox"/> Customer <input type="checkbox"/> Process <input type="checkbox"/> Law<br>材料符合ROHS要求 All Material Are To Be Rohs Compliant |            |             |            |           |  |            |   |                     |                          |             |            |                       |  |            |                  |               |
| 最高转速 Peak Speed (rpm)           | 4000 | 防护等级 Protection class                                      | IP65 <th colspan="4">NAMES</th> <th colspan="4">SIGNATURE</th> <th colspan="4">DATE</th> <th colspan="4">Unspecified tolerance</th> | NAMES   |            |             |            | SIGNATURE |  |            |   | DATE                |                          |             |            | Unspecified tolerance |  |            |                  |               |
| 额定转矩 Rated Torque (N.M)         | 0.64 | 允许最大径向负载 Maximum allowable radial load (N)                 | 210   | 设计<br>DESIGN  |            |             |            |           | 常规公差: Tolerances<br>角度 Angles ± 0.1°<br>倒角 Chamfer ± 0.3 |            |   |                     | 视角<br>FIRST ANGLE METHOD | 比例<br>SCALE |            |                       |  | 单位<br>UNIT | 变更标识<br>ECN SIGN | 名称<br>TITLE   |
| 峰值转矩 Peak Torque (N.M)          | 1.28 | 允许最大轴向负载 Maximum allowable axial load (N)                  | 50  | 标准化<br>STANDARD   |            |             |            |           | Unit: mm<br>GB/T1804-M<br>ISO2768-1 ClassM               |            |   |                     | 件号<br>PART NUMBER        | 1           |            |                       |  | 版本<br>REV  | A                | 图号<br>DWG. NO |
| 反电势 Voltage Constant (V/Krpm)   | 22.6 | 重量 Weight (kg)   | 1.0   | 审核<br>CHECK   |            |             |            |           |  |            |   |                     |                          |             |            |                       |  |            |                  |               |
| 力矩系数 Torque Coefficient (N.M/A) | 0.33 |  |   |   |            |             |            |           |  |            |   |                     |                          |             |            |                       |  |            |                  |               |

深圳锐特机电技术有限公司  
Shenzhen Rtelligent Technology Co., Ltd

|                          |             |            |                  |                   |
|--------------------------|-------------|------------|------------------|-------------------|
| 视角<br>FIRST ANGLE METHOD | 比例<br>SCALE | 单位<br>UNIT | 变更标识<br>ECN SIGN | 名称<br>TITLE       |
|                          | 1:1         | mm         | *                | 图号<br>DWG. NO     |
| 件号<br>PART NUMBER        | 1           |            |                  | 版本<br>REV         |
|                          |             |            | A                | 表单编号<br>Form Code |