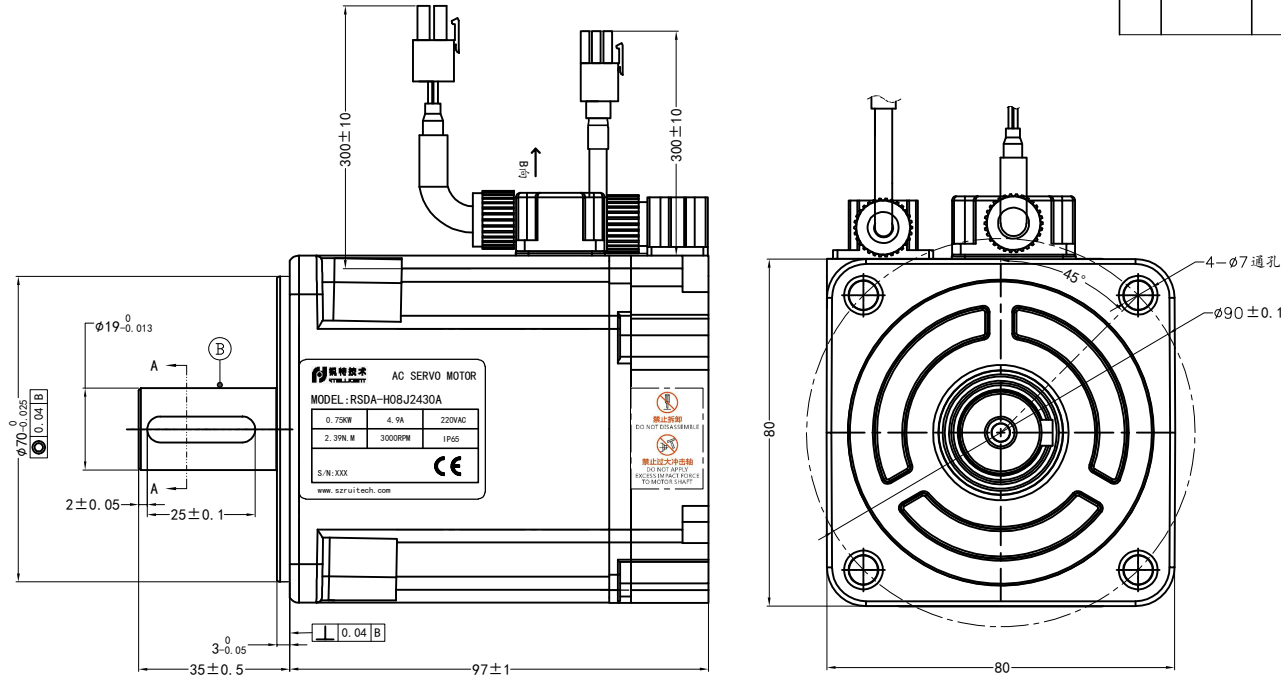


# 永磁交流伺服电动机规格书

## PERMANENT MAGNET AC SERVO MOTOR SPECIFICATION

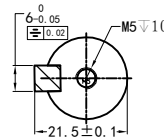
| 版本 REV | 变更号 ECN NO | 变更内容 CONTENT CHANGED | 处数 NO. | 日期 DATE | 设计 DESIGN |
|--------|------------|----------------------|--------|---------|-----------|
|        |            |                      |        |         |           |



### 使用说明:

#### Instructions

使用环境温度-20--40° C不结冰  
 Operating ambient temperature -20--40° C no ice  
 使用环境湿度20%--80%RH不结露  
 Operating environment humidity 20%--80%rh no condensation  
 1000m以下使用, 1000m以上请降额使用, 具体参照海拔降额曲线  
 For use below 1000m, please reduce the rating for use above 1000m.  
 Refer to the altitude derating curve for details



SECTION A-A

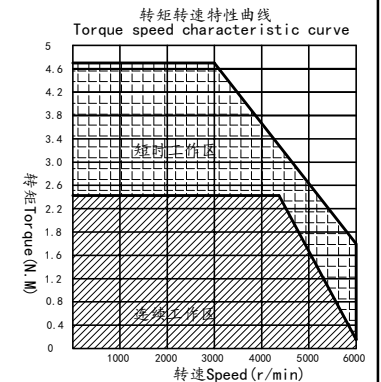
编码器线端子拉脱力<13N

Pull off force of encoder line terminal is less than or equal to 13N



塑壳: AMP172167-1  
端子: 170360-1

塑壳: AMP172169-1  
端子: 170359-1



### 参数列表

#### parameters List

|                                 |      |   |                   |  |           |           |  |             |   |   |   |  |             |            |                  |                    |                |
|---------------------------------|------|---|-------------------|--|-----------|-----------|--|-------------|---|---|---|--|-------------|------------|------------------|--------------------|----------------|
| 额定电压 Rated Voltage (V)          | 220  | 线电阻 Line-Line Resistance (Ω)                              | 1.26 ± 10% (20°C) | 17位单圈磁编接线顺序<br>17-bit single-turn magnetic encoder wiring sequence   |           |           |  |             | 电机绕组接线顺序<br>Motor winding wiring sequence |   |   |  |             |            |                  |                    |                |
| 额定功率 Rated Power (W)            | 750  | 线电感 Line-Line Inductance (mH)                             | 4.43 ± 20% (20°C) | 序号<br>Serial number  | 1         | 2         | 3  | 4           | 5   | 6 | 7 | 序号<br>Serial number  | 1           | 2          | 3                | 4                  |                |
| 额定电流 Rated Current (A)          | 4.9  | 转动惯量 Rotor inertia (×10 <sup>-4</sup> kg*m <sup>2</sup> ) | 1.5               | 颜色<br>Color  | 屏蔽        | 红<br>Red  | 白<br>White   | 黄<br>Yellow | 绿<br>Green                                |   |   | 颜色<br>Color  | 红<br>Red    | 白<br>White | 黑<br>Black       | 黄绿<br>Yellow/Green |                |
| 峰值电流 Peak Current (A)           | 9.8  | 绝缘等级 Insulation Class                                     | F                 | 定义<br>Definition   | PE        | VCC       | GND  | SD+         | SD-                                       |   |   | 定义<br>Definition   | U           | V          | W                | PE                 |                |
| 额定转速 Rated Speed (rpm)          | 3000 | 绝缘电阻 Insulation resistance                                | DC1000V ≥ 20MΩ    | CTQ SIGN: <input checked="" type="checkbox"/> Customer <input checked="" type="checkbox"/> Process <input checked="" type="checkbox"/> Law<br>材料符合ROHS要求 All Material Are To Be Rohs Compliant |           |           |  |             |   |   |   |  |             |            |                  |                    |                |
| 最高转速 Peak Speed (rpm)           | 5000 | 防护等级 Protection class                                     | IP65              | NAMES  | SIGNATURE | DATE      | Unspecified tolerance                                    |             |   |   |   | 锐特技术<br>RTelligent 深圳锐特机电技术有限公司<br>Shenzhen Rtelligent Technology Co., Ltd |             |            |                  |                    |                |
| 额定转矩 Rated Torque (N.M)         | 2.39 | 允许最大径向负载 Maximum allowable radial load (N)                | 390               | 设计<br>DESIGN   | ZHANG     | 2023.5.12 | 常规公差: Tolerances<br>角度 Angles ± 0.1°<br>倒角 Chamfer ± 0.3 |             |   |   |   | 视角<br>FIRST ANGLE METHOD   | 比例<br>SCALE | 单位<br>UNIT | 变更标识<br>ECN SIGN | 名称<br>TITLE        | RSDA-H08J2430A |
| 峰值转矩 Peak Torque (N.M)          | 4.78 | 允许最大轴向负载 Maximum allowable axial load (N)                 | 140               | 标准化<br>STANDARD  |           |           | Unit: mm<br>GB/T1804-M<br>ISO2768-1 ClassM               |             |   |   |   | 件号<br>PART NUMBER  | 1           | 版本<br>REV  | A                | 图号<br>DWG. NO      | /              |
| 反电势 Voltage Constant (V/Krpm)   | 35   | 重量 Weight (kg)  | 1.98              | 审核<br>CHECK  |           |           |  |             |   |   |   | 表编号<br>Form Code   |             |            |                  |                    |                |
| 力矩系数 Torque Coefficient (N.M/A) | 0.49 |   |                   |  |           |           |  |             |   |   |   |  |             |            |                  |                    |                |